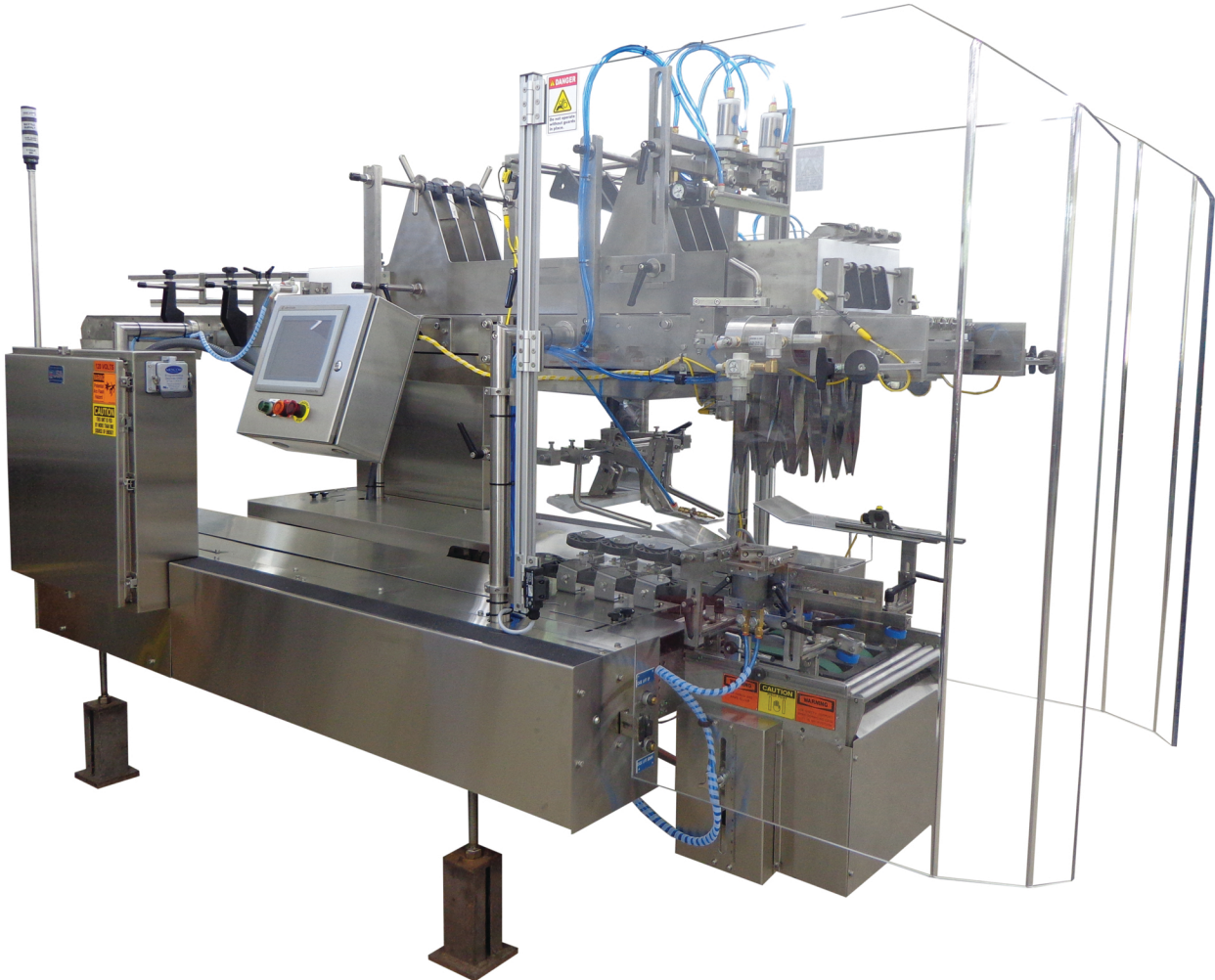




HAMRICK

360 DROP PACKER



Round
Containers



20
Cycles Per Minute

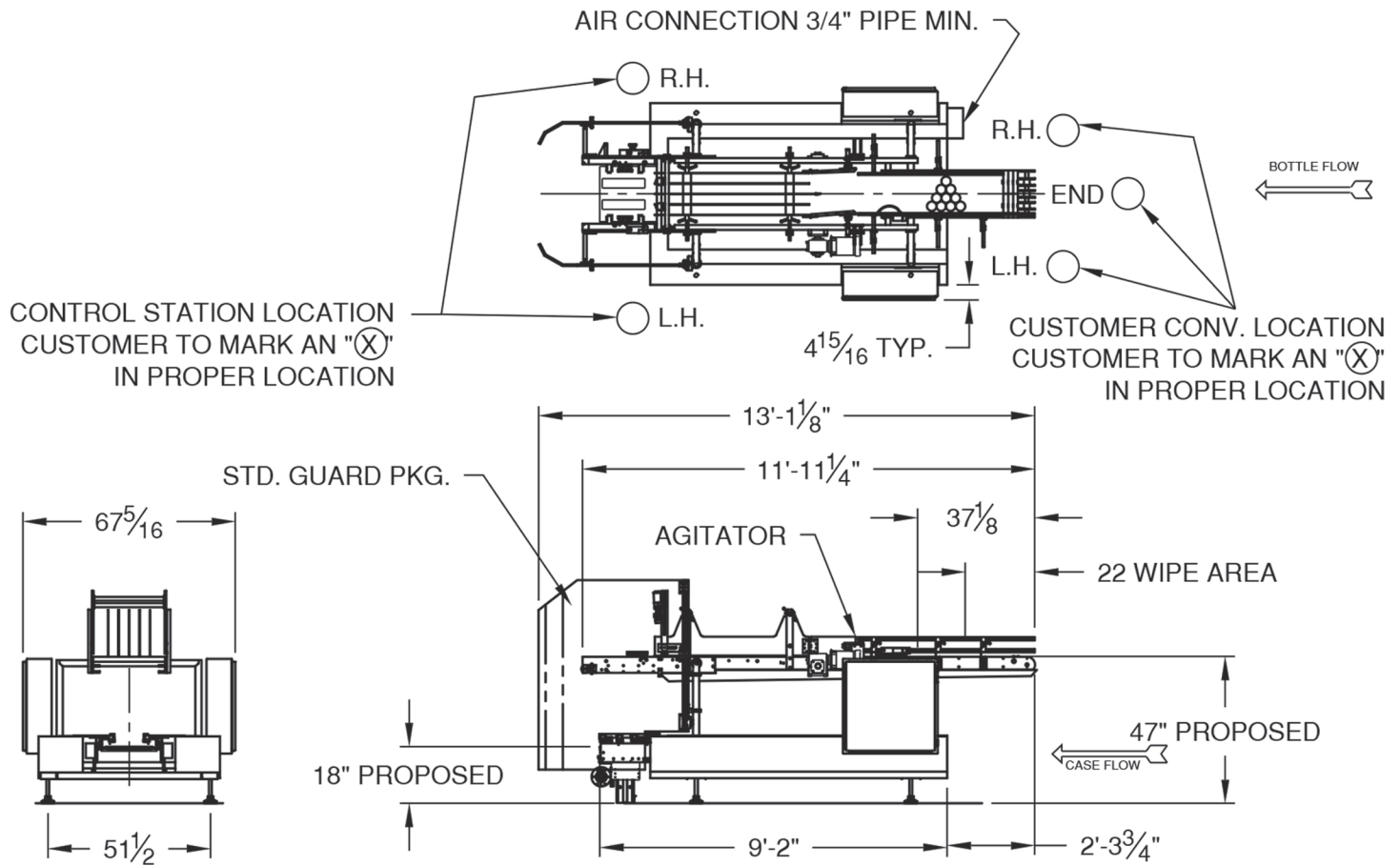


Medium to High
Production Volume



HAMRICK

360 DROP PACKER



Unit Specifications:

- One (1) packing head included
- Allen-Bradley MicroLogix 1400 PLC
- Stainless steel container and case guides
- Steel-It corrosion resistant paint
- NEMA 12 electrical
- Pneumatic bottle agitator
- Flight bar case indexing system

Upgrades Available:

- 90° bottle turner
- Tab-lock breaker mounted on case lift
- All stainless steel construction with NEMA 4 electrical
- Servo or pneumatic soft-set assembly to gently lower product into cases
- Two cases per cycle operation
- Four flap opener for reshipper cases

One (1) Year Warranty and 100% Money Back Guarantee Always Included